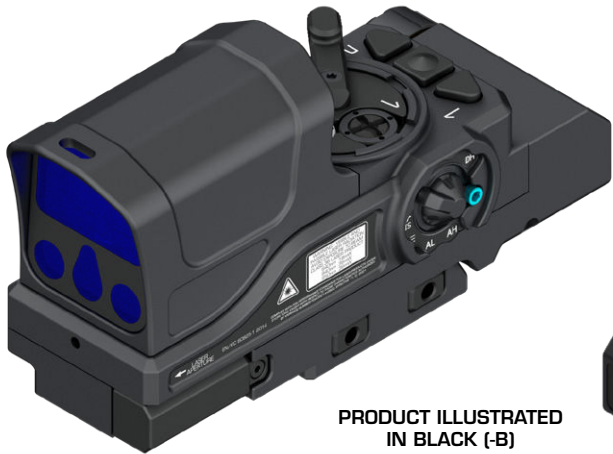


BOSS **Xe**
TM
BALLISTICALLY OPTIMIZED SIGHTING SYSTEM - ENHANCED - LOW POWER


PRODUCT ILLUSTRATED
IN BLACK (-B)



PRODUCT OVERVIEW

The Wilcox BOSS™ Xe™, a class 3R low power laser aiming device, is an easy to use, small form factor sighting system designed specifically for the Military and LE markets. The BOSS Xe features a fully integrated optical bench that houses a smart red dot/reflex sight, red or green visible laser, NIR laser, fixed NIR VCSEL illuminator, and iron sight all co-aligned with one another. The unique windage and elevation adjustments allow operators to quickly and easily set one zero for the entire optical bench. User defined functions on the remote pressure pad allow for a “heads up, eye out” posture adding further customization options for the operator.

An Above-the-Rail IR Room illuminator improves target visibility and provides proper IR lighting for close quarters battle. Wilcox positioned the room illuminator function into the “bottom” of the IR illuminator steps, keeping similar functions together. This allows for easy, fast transition for “far” illumination to “close” illumination giving operators targeting flexibility at different ranges. The fixed NIR illuminator, combined with the NIR room illuminator, features a best-in-class tactical solution in any low light situation setting the standard for optical performance and optimal target identification.

Designed with the operator in mind, the BOSS Xe differentiates itself from any other reflex sight on the market by giving the operator ultimate control of their personal sound signature per mission parameters. The operator can fire either supersonic or subsonic ammunition using the same optic by simply switching a trajectory selection switch to change the Point of Aim (POA) and Point of Impact (POI) without having to re-zero the weapon. Finite trajectory adjustments accommodate the drop differential between ammunition types.

The BOSS Xe's multi-function attributes are focused on minimizing engagement times for target acquisition. An on-board maintenance counter monitors the total amount of rounds fired from the weapon and can share data in real-time to ensure timely maintenance of the weapon. Securely mounted to any Picatinny style 1913 rail, the BOSS Xe provides rock solid boresight retention increasing operational effectiveness.

Approved for Public Release



©2021 - 2024 Wilcox Industries Corp. All rights reserved. | TDS368.P4.02.02.25 | The WILCOX logo, “X” icon and ERGOCTO are Federally Registered Trademarks of Wilcox Industries Corp. Wilcox BOSS, Xe and “Modular by Design” are trademarks of Wilcox Industries Corp. The BXE-SPD is a trademark of EtruscoTech. Specifications subject to change without notice. European Patent No. 3540363. Additional patents pending. | Export of this product is regulated by the U.S. Department of State in accordance with guidelines of ITAR per Title 22, Code of Federal Regulations, Parts 121-128.

25 PISCATAQUA DRIVE | NEWINGTON NH, 03801 | 603.431.1331 | WWW.WILCOXIND.COM



PRODUCT ILLUSTRATED WITH OPTIONAL BXW-SRD OPTIC SIGNATURE REDUCER



CANT INDICATOR



PRODUCT ILLUSTRATED WITH INCLUDED ERGOCTO Xe ACTIVATION KEYPAD

FEATURES & BENEFITS

- Red dot reticle selection for preferred target picture with on-the-fly adjustable brightness
- Smart reflex sight features built-in back up iron sight and a cant indicator if the weapon is off angle
- One optical bench houses either red or green VIS laser, NIR laser, NIR room/fixed illuminators, smart reflex sight, and iron sight and is aligned to weapon using one windage and one elevation adjustment
- Each elevation adjustor has full travel range for more zero setting flexibility
- NIR VCSEL illuminator and wide angle NIR Room illuminator project precise, speckle-free beams for extreme clarity and optimal target identification
- Above rail Room illuminator for improved visibility
- Trajectory switch includes 2 full-size, robust elevation adjusters allowing on-the-fly transition from supersonic to subsonic (ammunition) aimpoints
- Adjustable laser/illuminator/reflex power to meet mission and environmental requirements
- Remote port accepts Wilcox line of ERGOCTO® Xe Activation Keypads and ERGOCTO Xe Control Grips (optional)
- Multi-function keypads provide flexibility in programing custom options
- Wilcox connector fits flush with unit sitting tight to rail and faces forward for unimpeded routing
- Powered by one (1) CR123 battery
- Mounts to 1913 Picatinny rail with 2 shock nuts
- Bluetooth interface provides key info on mobile devices

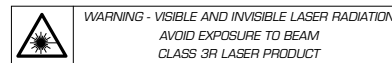
SPECIFICATIONS - HIGH POWER

Battery Life: Over 8 Hrs
 Immersion: 1 meter for 1 hour
 Boresight Retention: <.5 mrad

Laser Type/Wavelength/Power*: Red Visible Laser/640nm/15mW
 Laser Type/Wavelength/Power*: Green Visible Laser/520nm/12.5mW
 Laser Type/Wavelength/Power*: Infrared Laser/850nm/30mW
 Laser Type/Wavelength/Power*: Infrared Illuminator/840nm/30mW

* Nominal Output Power is subject to +/-10% tolerance.
 For Laser Safety use Nominal Output Power + 20%.

Please contact Wilcox [customer service](#) for other power output requirements.



Available Colors: **■-B**

PRODUCT DESCRIPTION	PART NUMBER
BOSS Xe - LOW POWER RED LASER	64000G22

ADDITIONAL EQUIPMENT	PART NUMBER
ERGOCTO Xe SINGLE 3 BUTTON ACTIVATION KEYPAD - 6.75"	68401G15
ERGOCTO Xe DUAL 3 BUTTON ACTIVATION KEYPAD	65335G31

BXE-SRD BOSS Xe Optic Signature Reduction Device
 To order, please contact Etruscotech: bostonballistics@gmail.com EBXE-WPB-FP

View the benefits of [Blueforce® BTAC technology](#)

IN PARTNERSHIP WITH:

